



# RENEWABLE ENERGY & PARTIAL STATE OF CHARGE SOLUTIONS



DESIGNED FOR USE IN SOLAR,  
RENEWABLE, WIND AND HYBRID  
ENERGY SYSTEMS AND SOLUTIONS

# POWER YOU CAN DEPEND ON

---

C&D Technologies delivers world-class power solutions for mission-critical industrial applications around the world. As a trusted power solutions provider for more than 100 years, C&D is committed to providing high quality, reliable and cost-effective products and services.

C&D Technologies has been producing batteries used in deep cycle applications for more than 20 years. As industry requirements change, C&D developed products for emerging Renewable Energy that required Partial State of Charge (PSoC). The AES Series of sealed VRLA AGM batteries feature advanced DCS technology and C&D Nano-Carbon™ technology for extensive cycle life. The AES series is built around a space efficient and cost effective case that allows for scalable installations.

Since uptime is essential to the renewable energy market, incorporating C&D's AES Series into a system ensures enhanced customer satisfaction and retention while delivering a proven cost-effective solution. **All day, every day.**

## APPLICATIONS

- ◆ Remote/Hybrid Sites
- ◆ Grid Scale Energy Storage
- ◆ Communications
- ◆ Cycling Applications
- ◆ Off-Grid/Renewable

# PROTECT YOUR POWER WITH OUR EFFECTIVE ANTI-THEFT DEVICE

---

Our simple, yet effective, anti-theft solution is designed to provide added security to any power grid, giving you the confidence and peace-of-mind in knowing your batteries are secured wherever they're stored.

## BENEFITS:

- ◆ Strength in design
- ◆ Hardened stainless steel covers
- ◆ Stainless steel shear bolts intentionally break off during installation
- ◆ Added security for individual batteries through cover bar lengths and assembly
- ◆ Kit availability for AES Series batteries

## COMPONENTS PER CONNECTION:

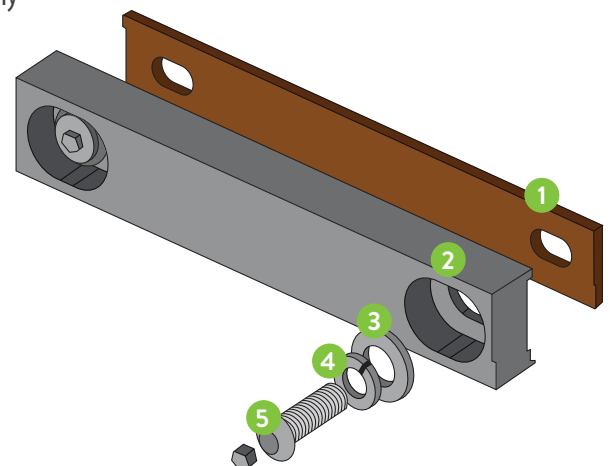
**Item 1:** Copper connector

**Item 2:** Hardened stainless steel connector cover

**Item 3:** ¼" flat-&-lock washer

**Item 4:** ¼"-20×¾" shear bolt button head screws – A2 stainless steel

**Item 5:** Disposed shear bolt stud – breaks off at assembly



# ADVANCED ENERGY STORAGE

AES AGM batteries with C&D Nano-Carbon™ technology offer a longer service life in demanding deep-cycle applications (see application charts on page 5). They are designed to meet the demanding needs of grid-tied and off-grid energy applications requiring back-up power. These versatile maintenance-free batteries can be used in upright, side or end mounted orientations—no watering required.

- ◆ C&D Nano-Carbon™ technology enhanced active material to maximize cycle performance and PSoC operation
- ◆ Terminal versatility – ease of ohmic readings with C&D Ohmic Ring®  
(Available on front terminal batteries: AES12-2170F and AES 12-2870F)
- ◆ Threaded copper alloy inserts for reduced maintenance and increased safety
- ◆ High-strength, leak-free polymer container allows for non-restricted shipping:  
Water: non-hazardous per IMDG Amendment 27 Surface:  
non-hazardous per DOT-CFR title 49, 171-189 Air: IATA/ICAO, provision A67
- ◆ 100% helium leak tested and dielectric tested to ensure seal integrity
- ◆ Design uses UL certified vents
- ◆ Non-Hazardous for Transportation
- ◆ Extended service life in elevated temperature applications
- ◆ UL94-V0 Compliant Case and Cover



## STRONG DESIGN

In any application where the battery may face extreme temperature, shock, or vibration conditions, a rugged case is key to maintaining battery performance over time. All AES batteries are encased in a strong propylene case that protects all the battery's components and ensures that the battery will work day after day in the most demanding environments.

AES 7.5-1600



AES 8.0-1600



AES 12-2170F



AES 12-2870F



# WHAT IS C&D NANO-CARBON™ TECHNOLOGY?

---

Traditional lead calcium batteries suffer pre-mature failure in cycling applications due to deterioration of the active material on the plates. C&D's Nano-Carbon technology is the solution. By enhancing the negative active material with C&D Nano-Carbon™ technology, the AES series is able to provide a long service life in cycling applications.

## HIGH SURFACE AREA CARBON

- ◆ Specially formulated carbon additive for improving the Negative Active Material (NAM)
- ◆ Increases conductivity and adds additional capacitance to the negative electrode
- ◆ Improves cell to cell consistency for balance in larger systems

## NANO-SCALE ADDITIVES

- ◆ Provides additional surface area needed to maintain discharge reactions
- ◆ Maintains the NAM in deep cycle applications
- ◆ Improves charge efficiency and allows Partial state of charge (PSoC) operation
- ◆ Improves deep discharge recovery



## HIGH TEMPERATURE CARBON ADDITIVES

- ◆ Preserves more carbon material in the plate
- ◆ High temperature resistance for cycle applications in hot environments and heavy cycle applications that keep the battery operating at higher temperatures

## ACHIEVING LONGER LIFE

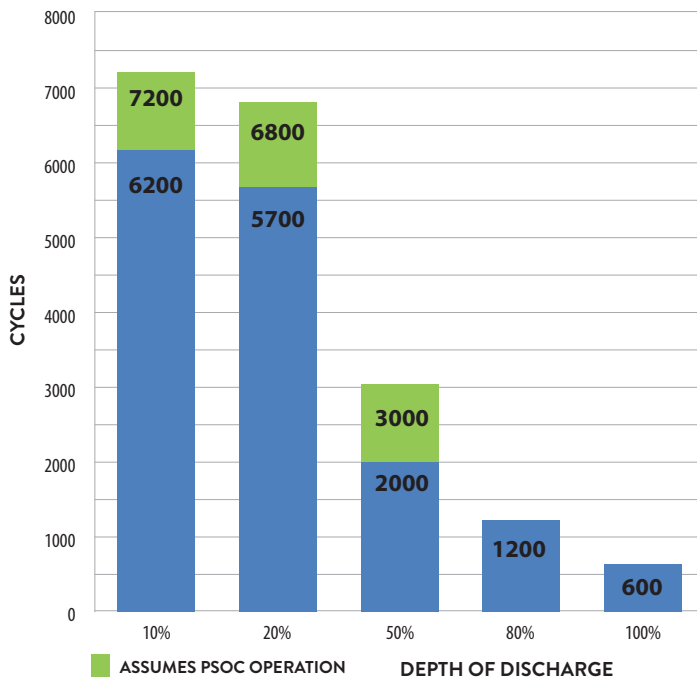
The key to the long service life of our AES batteries is our robust proprietary technologies. C&D Nano-Carbon™ technology formulation enhances life by improving charging efficiency while supporting cyclic PSoC operation. C&D's DCS technology features advanced plate technology for recharge efficiency and rugged cases are proven in real world environments. Quality manufacturing processes along with 100+ years of battery design helps provide AES batteries will last for years in your application.

# AES BATTERY SPECIFICATIONS

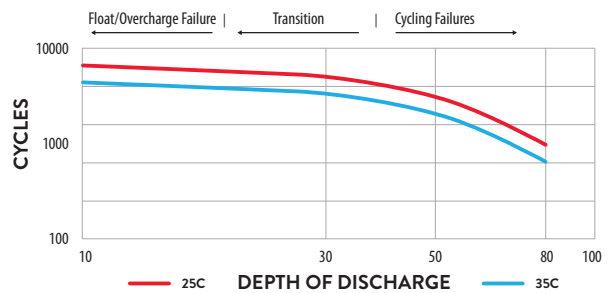
MODEL NAME	VOLTAGE	CAPACITY AMP-HOURS (Ah) @ 77°F (25°C)	CAPACITY AMP-HOURS (Ah) @ 77°F (25°C)	MAX DISCHARGE	INTERNAL RESISTANCE	MAX SHORT CIRCUIT CURRENT (PER IEC 60986)	DIMENSIONS INCHES (mm)			WEIGHT LBS. (kg)
		20-Hr RATE	100-Hr RATE				LENGTH	WIDTH	HEIGHT	
<b>ADVANCED ENERGY STORAGE</b>										
<b>AES 7.5-1600</b>	7.5 VOLT	168	182	800A	2.60	3270	10.4 (263)	7.1 (180)	11.3 (286)	82 lbs (37 kg)
<b>AES 8.0-1600</b>	8.0 VOLT	168	182	800A	2.60	3270	10.4 (263)	7.1 (180)	11.3 (286)	82 lbs (37 kg)
<b>AES 12-2170F</b>	12 VOLT	192	209	800A	4.60	2729	22.0 (559)	5.0 (126)	12.7 (322)	134 lbs (61 kg)
<b>AES 12-2870F</b>	12 VOLT	224	242	800A	3.60	3477	22.0 (559)	6.1 (154)	12.7 (322)	161 lbs (73 kg)

<b>SPECIFICATIONS</b>			
<b>OPERATING TEMPERATURE</b>	Discharge: -40°C (-40°F) to +60°C (160°F) Charge: -23°C (-10°F) to +60°C (140°F)		
<b>MAXIMUM CHARGING CURRENT LIMIT</b>	0.6 C <sub>10</sub>		
<b>FLOAT CHARGING VOLTAGE</b>	12.27V per Cell at 25°C (77°F)		
<b>SELF DISCHARGE</b>	Battery can be stored up to 6 months at 25°C (77°F) before freshening charge is required. Batteries stored at temperatures greater than 25°C (77°F) will require recharge sooner than batteries stored at lower temperatures. See C&D operational anual 41-7272, Self-Discharge andn Inventory Control for details.		
<b>EQUALIZE CHARGING &amp; CYCLE SERVICE VOLTAGE</b>	2.4V per Cell at 25°C (77°F)		
<b>TERMINAL</b>	<b>AES 7.5-1600 &amp; AES 8.0-1600</b> Threaded copper alloy insert terminal to accept: 1/4-20 UNC bolt	<b>AES 12-2170F</b> Threaded copper alloy insert terminal to accept: M8 bolt	<b>AES 12-2870F</b> Threaded copper alloy insert terminal to accept: M8 bolt
<b>TERMINAL HARDWARE TORQUE</b>	<b>AES 7.5-1600 &amp; AES 8.0-1600</b> 12.4N-M (110in. -lbs)	<b>AES 12-2170F</b> 18N-M (160in. -lbs)	<b>AES 12-2870F</b> 18N-M (160in. -lbs)

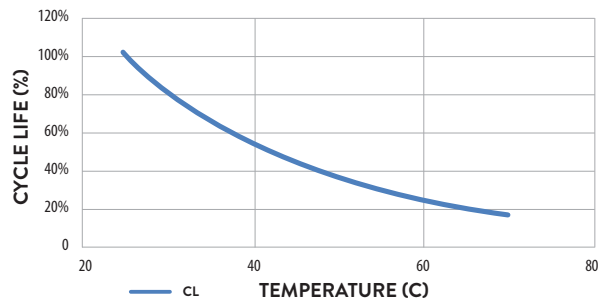
**DEPTH OF DISCHARGE VS. CYCLES<sup>1</sup>**



**APPLICATION AND TYPICAL FAILURE MODE<sup>1</sup>**

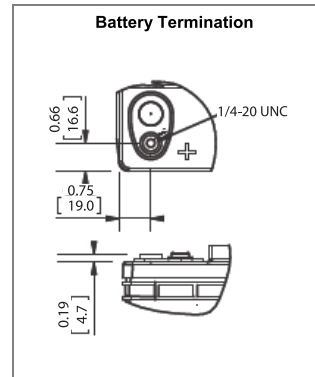
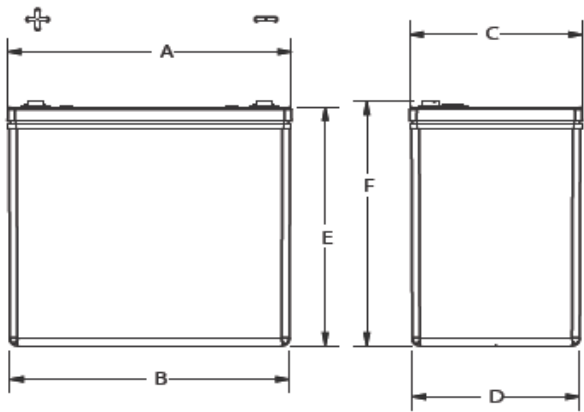


**CYCLE LIFE VS. TEMPERATURE<sup>1</sup>**



<sup>1</sup> - Data taken from AES-2170F and representative of AES battery family

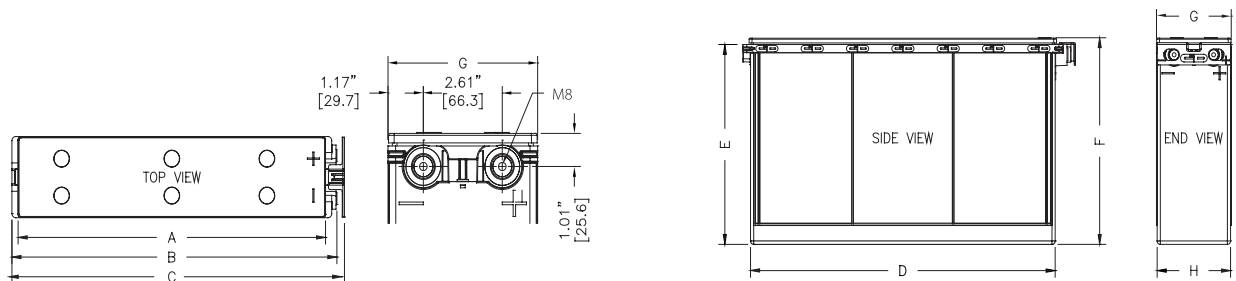
# DIMENSIONS & WEIGHTS



AES 7.5-1600 & AES 8.0-1600					
A	B	C	D	E	F
10.4 (263)	9.4 (239)	7.1 (180)	6.8 (172)	11.2 (283)	11.3 (286)

\*All dimensions in inches and (millimeters). All dimensions are for reference only. Contact a C&D Representative for complete dimensions information.

\*Note: Batteries to be mounted with 0.5 IN (12.5MM) spacing minimum and free air ventilation.



AES 12-2170F & AES 12-2870F								
MODEL	A	B	C	D	E	F	G	H
<b>AES 12-2170F</b>	20.4 (518)	21.6 (547)	22 (559)	20 (512)	12.2 (311)	12.7 (322)	5 (126)	4.9 (123)
<b>AES 12-2870F</b>	20.4 (518)	21.6 (547)	22 (557)	20 (512)	12.2 (311)	12.7 (322)	6.1 (155)	6 (153)

\*All dimensions in inches and (millimeters). All dimensions are for reference only. Contact a C&D Representative for complete dimensions information.

\*Note: Batteries to be mounted with 0.5 IN (12.5MM) spacing minimum and free air ventilation.

# PERFORMANCE RATINGS

## CONSTANT CURRENT DISCHARGE RATINGS - AMPERES @ 77°F (25°C)

MODEL	VOLTAGE	Operating Time (hr.) to 1.8 Volts per Cell									
		5	8	10	12	20	24	48	72	100	120
AES 7.5-1600	8	28.3	18.9	15.5	13.1	8.3	7.1	3.6	2.5	1.8	1.5
AES 8.0-1600	8	28.3	18.9	15.5	13.1	8.3	7.1	3.6	2.5	1.8	1.5
AES 12-2170F	12	31.3	20.9	17.2	14.7	9.5	8.1	4.2	2.8	2.1	1.7
AES 12-2870F	12	35.4	23.8	20.0	17.0	11.0	9.4	4.8	3.3	2.4	2.0

## CONSTANT CURRENT DISCHARGE RATINGS - AMPERES @ 86°F (30°C)

MODEL	VOLTAGE	Operating Time (hr.) to 1.8 Volts per Cell									
		5	8	10	12	20	24	48	72	100	120
AES 7.5-1600	8	29.6	19.8	16.2	13.7	8.7	7.4	3.8	2.6	1.88	1.6
AES 8.0-1600	8	29.6	19.8	16.2	13.7	8.7	7.4	3.8	2.6	1.88	1.6
AES 12-2170F	12	32.7	21.9	18.0	15.4	9.9	8.5	4.4	2.9	2.14	1.8
AES 12-2870F	12	37.0	24.9	20.9	17.8	11.5	9.8	5.0	3.5	2.49	2.1

## CONSTANT POWER DISCHARGE RATINGS - WATTS PER CELL @ 77°F (25°C)

MODEL	VOLTAGE	Operating Time (hr.) to 1.8 Volts per Cell									
		1	3	4	5	8	10	12	20	24	100
AES 7.5-1600	8	192.5	79.9	63.2	52.7	36.0	30.0	25.7	16.3	13.9	3.5
AES 8.0-1600	8	192.5	79.9	63.2	52.7	36.0	30.0	25.7	16.3	13.9	3.5
AES 12-2170F	12	206.0	89.4	70.6	59.2	40.8	34.1	29.1	18.6	15.9	4.0
AES 12-2870F	12	230.6	100.6	80.6	67.7	46.9	39.1	33.5	21.7	18.5	4.6

## CONSTANT POWER DISCHARGE RATINGS - WATTS PER CELL @ 86°F (30°C)

MODEL	VOLTAGE	Operating Time (hr.) to 1.8 Volts per Cell									
		1	3	4	5	8	10	12	20	24	100
AES 7.5-1600	8	201.4	83.6	66.2	55.2	37.6	31.4	26.9	17.0	14.5	3.6
AES 8.0-1600	8	201.4	83.6	66.2	55.2	37.6	31.4	26.9	17.0	14.5	3.6
AES 12-2170F	12	215.5	93.5	73.8	61.9	42.7	35.6	30.4	19.5	16.6	4.2
AES 12-2870F	12	241.2	105.2	84.3	70.8	49.0	40.8	35.1	22.6	19.3	4.8



[www.cdtechno.com](http://www.cdtechno.com)

## OFFICES

### C&D WORLD HEADQUARTERS

1400 Union Meeting Road  
Blue Bell, PA 19422-0858 USA

### C&D UNITED KINGDOM

Unit 25, Romsey Industrial Estate  
Romsey SO51 0HR Hampshire, UK

### CANADA

C&D Mississauga Sales Office  
6665 Millcreek Dr. Unit 3  
Mississauga, Ontario L5N 5M4 Canada

### UNITED STATES

C&D Corporate Test Lab  
200 Precision Drive, Suite 150  
Horsham, Pennsylvania 19044 USA

## MANUFACTURING

### UNITED STATES

C&D Attica Manufacturing  
200 W. Main Street  
Attica, Indiana 47918-0279 USA

### MEXICO

C&D Reynosa Manufacturing  
Ave. Industrial del Norte S/N  
Lote 6, Manzana 9  
Reynosa, Tamaulipas

### CHINA

C&D Shanghai PSD Manufacturing  
No 55 Liandu Road  
Spark Development Zone  
FengXian District  
Shanghai, China, 201419



©2020 C&D Technologies Inc. Any data, descriptions or specifications presented herein are subject to revision by C&D Technologies, Inc. without notice. While such information is believed to be accurate as indicated herein, C&D Technologies, Inc. makes no warranty and hereby disclaims all warranties, express or implied, with regard to the accuracy or completeness of such information. Further, because the product(s) featured herein may be used under conditions beyond its control, C&D Technologies, Inc. hereby disclaims all warranties, either express or implied, concerning the fitness or suitability of such product(s) for any particular use or in any specific application or arising from any course of dealing or usage of trade. The user is solely responsible for determining the suitability of the product(s) featured herein for user's intended purpose and in user's specific application.